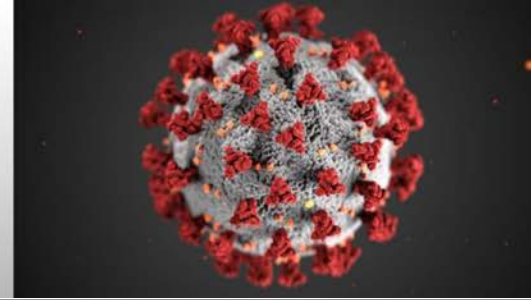


Designed to Support Safety Needs for Hospitals and Healthcare Facilities



Protective Clear Plexiglass Boxes

In response to COVID-19, Kieffer | Starlite is fabricating protective Intubation Shields for hospitals and healthcare facilities. Designed with safety in mind, the protective shields add another layer of protection for medical professionals by placing the shield over the patient's facial region. Hand holes are placed in the back panel, allowing the arms of the medical professional to tend to the patient easily.

Product Features:

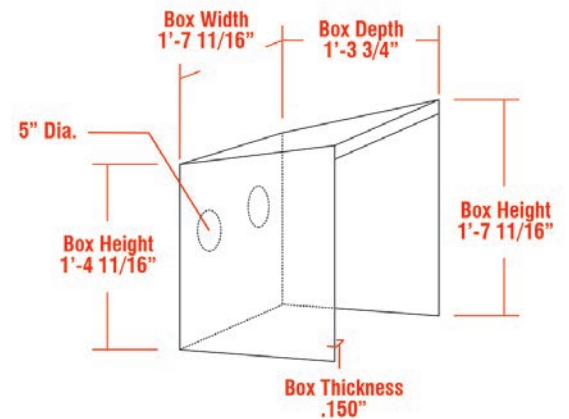
- Thick translucent, polycarbonate structure
- Splash protection box design
- Lightweight, tough and durable
- Non-Sterile
- Custom Design Capabilities upon request

Product Specifications:

- Designed utilizing .150" thick polycarbonate.
- 5" diameter hand access holes for back panel shield.

Cleaning Instructions:

Care instructions: Do not clean with petroleum- or ammonia-based products, such as Windex. Use only UV, bleach water, or soapy water.



Online Ordering

Orders can be placed online at [KiefferStarlite.com/COVID-19](https://www.kiefferstarlite.com/COVID-19)

Shipping

All orders will ship within 3-5 days of the product being ordered from our facility in Sheboygan, WI.

For specific inquires, call us at 800.659.2493 or email Products@KiefferStarlite.com.



Kieffer | Starlite is a national sign company that specializes in custom manufacturing, service and installation. We have supplied clients across the country with quality signs and service since 1956.

